



SERIES 616KD-LR | DIFFERENTIAL PRESSURE TRANSMITTER - LOW RANGES



FEATURES/BENEFITS

- Wide selection of low ranges and accuracy cover numerous applications minimizing components and standardizing on design
- Simple calibration push-buttons to set zero and span, saving time installing and maintaining over the service life
- Cost effective and compact device suitable for OEM applications where space, simplicity, and value are key
- Optional plenum rated units meeting UL Standard 2043 are available

APPLICATIONS

- Air handlers
- Duct pressure
- Variable air volume
- Filter monitoring

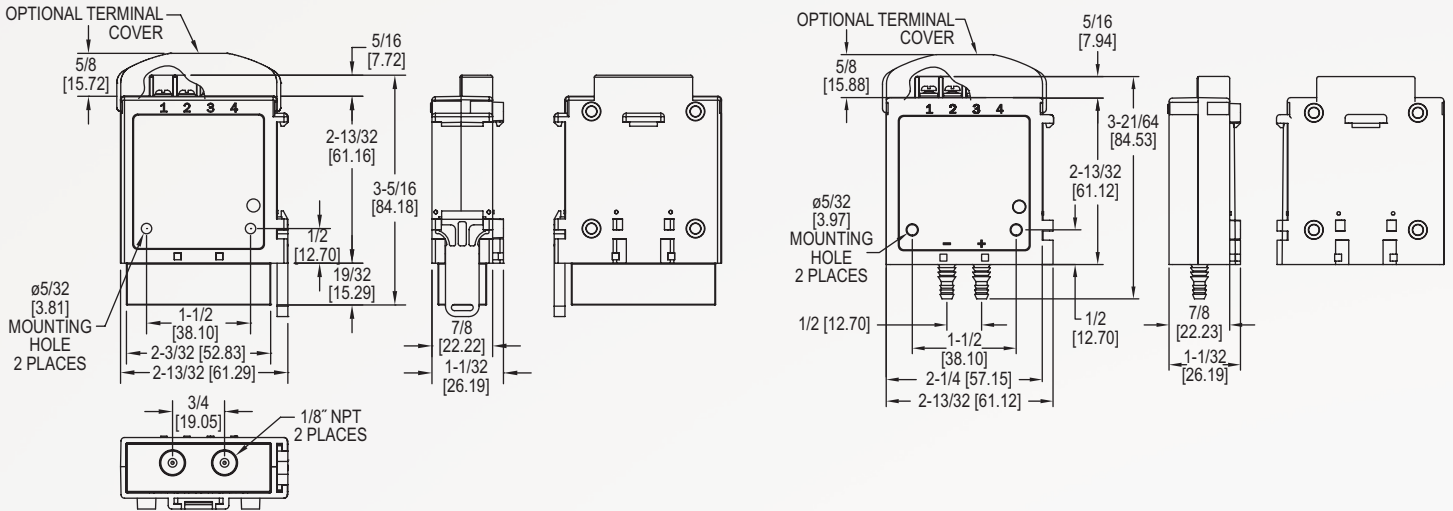
DESCRIPTION

The **Series 616KD-LR Differential Pressure Transmitter - Low Ranges** is designed for simplicity, making it the ideal choice for installers and maintenance professionals. These low range instruments not only alleviate cumbersome turn pots typically found in most transmitters, but eliminate entirely the need to span the instruments during calibration. With single digital push button, both ZERO AND SPAN are calibrated properly, nothing else is required. No additional reference pressure sources or separate calibration devices are necessary.

SPECIFICATIONS

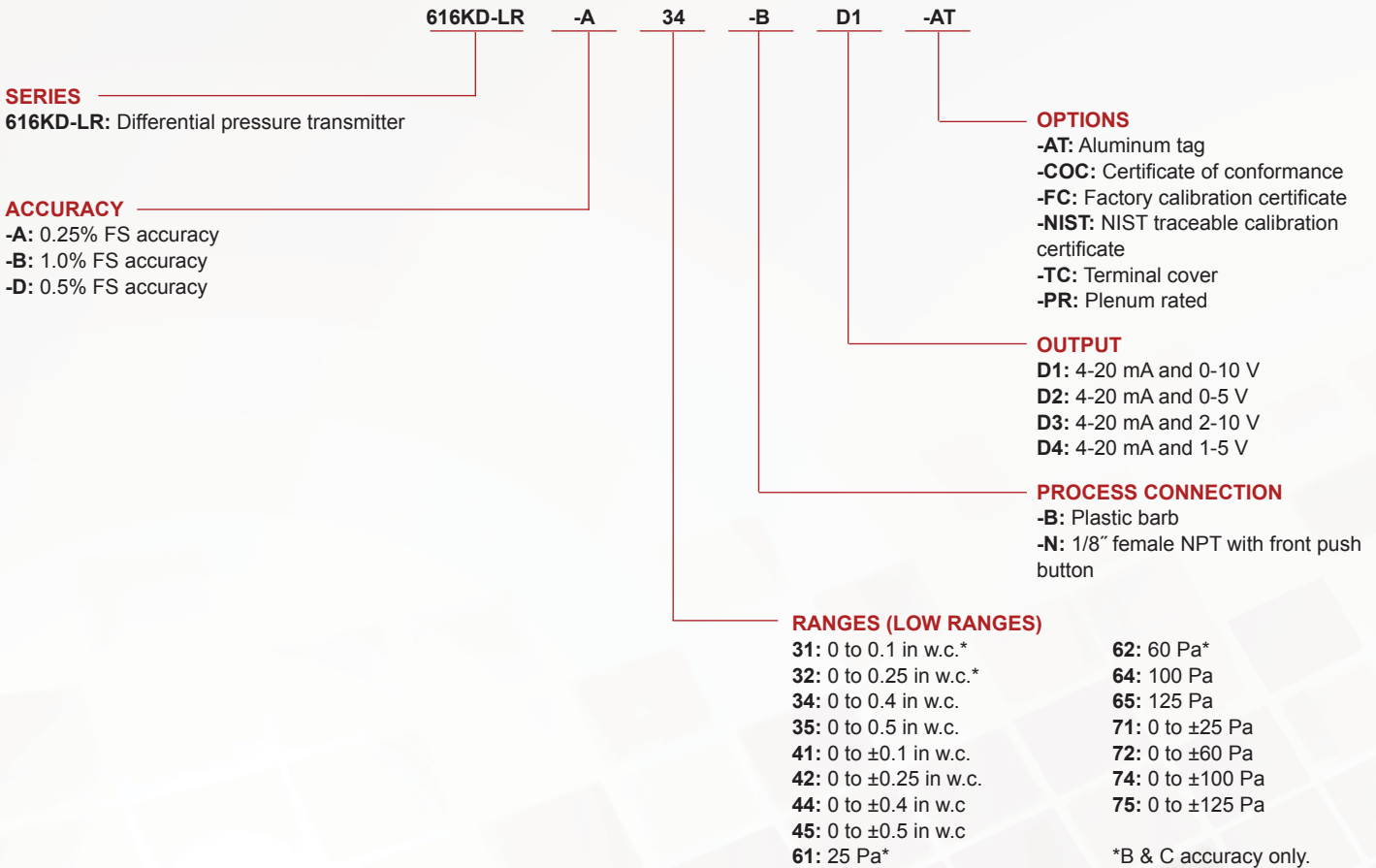
Service	Air and non-combustible, compatible gases.
Wetted Materials	Consult factory.
Accuracy	±0.25% FS for ±0.4" (100 Pa) and ±0.5" (125 Pa), ±0.5% FS for ±0.25" (60 Pa), and ±1% FS for ±0.1" (25 Pa).
Stability	±1% / year FSO.
Temperature Limits	0 to 140°F (-17.8 to 60°C).
Pressure Limits	1 psi max., operation; 10 psi burst.
Power Requirements	10-35 VDC (2 wire), 17-36 VDC or isolated 21.6-33 VAC (3 wire).
Output Signal	4-20 mA (2-wire), 0-5 VDC, 0-10 VDC (3-wire).
Response Time	2.5 Hz sample rate.
Zero and Span Adjustments	Push button.
Loop Resistance	Current Output: 0 to 1250Ω max; Voltage Output: Min. load resistance 1kΩ.
Current Consumption	40 mA max.
Electrical Connections	3-wire removable European style terminal block for 16 to 26 AWG.
Process Connections	Barbed, dual size to fit 1/8" & 3/16" (3 mm & 5 mm) ID rubber or vinyl tubing, or 1/4" NPT.
Enclosure Rating	NEMA1 (IP20).
Mounting Orientation	Vertical with pressure connections pointing down.
Weight	1.8 oz (51 g).
Agency Approvals	CE, optional plenum rated units meet UL Standard 2043.

DIMENSIONS



HOW TO ORDER

Use the **bold** characters from the chart below to construct a product code.



ORDER ONLINE TODAY!

Product/Series616KD-LR



DWYER INSTRUMENTS, INC.

©Copyright 2019 Dwyer Instruments, Inc.
Printed in U.S.A. 7/19

DS-616KD-LR Rev. 2

Important Notice: Dwyer Instruments, Inc. reserves the right to make changes to or discontinue any product or service identified in this publication without notice. Dwyer advises its customers to obtain the latest version of the relevant information to verify, before placing any orders, that the information being relied upon is current.